

Temperature Sensor with Double-Pt100 and two Transmitters

Application / Specified Usage

- Redundant temperature measurement in a UHT-plant
- Synchronous measurement for a local display and for a recorder

Hygienic Design / Process Connection

- Flow optimized, hygienic and easy sterilizable installation by build-in system ESP or sleeve EMZ or build-in system EHG.
- Product contacting materials compliant to FDA
- Sensor made of stainless steel, sensor tip made of PEEK
- Additional process connections:
TriClamp, dairy flange (DIN 11851), DRD, Varivent, APV, BioControl
- Build-in system ESP in accordance with 3-A-Standard 74-03
- Build-in System CLEANadapt EHEDG certified

Features

- Two galvanically isolated analog outputs
- Redundant measurement system in one sensor
- Costs and time saving for wiring because of integrated 2-wire transmitters

Options / Accessories

- Programable transmitters MPU-4
- Pt100 chip with other classes of accuracy (1/3B, 1/10B)
- Sensor tips with diameter 3 mm and 4 mm

Authorizations



74-03

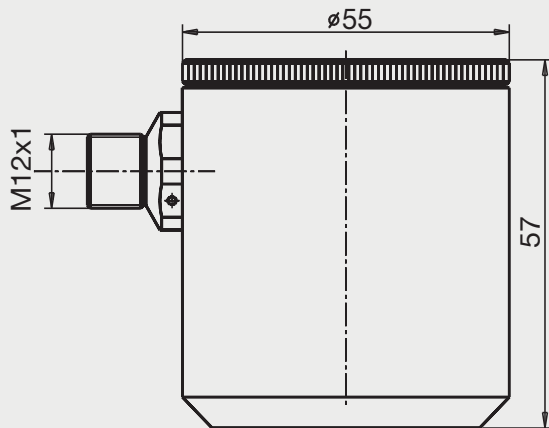
Temperature Sensor TFP-61 / 050 with 2 x MPU-4 and weld-in sleeve EMZ



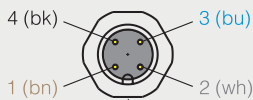
Temperature Sensor			
Process Connection	thread G1/2" TFP-60	thermowell	e.g. ESH-G1/2"/050
	thread G1/2"		
	hygienic TFP-61	weld-in sleeve	e.g. EMZ-132
	thread M12		
Torque	hygienic TFP-62	weld-in sleeve	e.g. EMK-032
	thread G3/8" TFP-68P	build-in system	e.g. ESP-G
	ohne thread TFP-69	weld-in sleeve	e.g. EMK-25/76
Insertion Length	TFP-61	5...20 Nm	
	TFP-62	5...10 Nm	
Materials	standard	50 mm, 100 mm, 150 mm, 250 mm	
Operating Pressure	connecting head	stainless steel 1.4305	
	thermowell	stainless steel 1.4404	
Temperature Ranges	with thermowell	10 bar maximum	
		50 bar maximum	
Sensing Resistor	ambient	-50...+80 °C	
	sensor tip	-50...+250 °C	
Electrical Connection	acc. to ITS 90	2 x Pt100 class A	
Protection Class		M12-plug, 1.4305, 4 pin	
		IP 69 K	

Transmitter MPU-4		
Temperature Ranges	ambient	-40...+85 °C
	storage	-55...+90 °C
Measuring Ranges	standard MPU-4	-10...40 °C, 0...50 / 100 / 150 / 200 °C free programmable
Accuracy		< ±0,1 % of full scale
Temperature Drift	zero, span	< 0,01 % / K
Electrical Connection	supply	8...35 V DC
Output	analog	4...20 mA
Humidity	without condensation	0...98 %

Drawing of the higher connection head



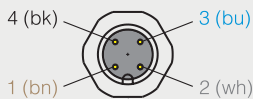
With 1 x M12-plug (sensor 1 + sensor 2)



Configuration M12-plug

- 1: + supply (sensor 1)
- 2: - supply 4...20 mA (sensor 1)
- 3: - supply 4...20 mA (sensor 2)
- 4: + supply (sensor 2)

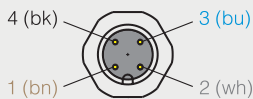
With 2 x M12-plug (sensor 1)



Configuration M12-plug

- 1: + supply (sensor 1)
- 2: - supply 4...20 mA (sensor 1)
- 3: not connected
- 4: not connected

With 2 x M12-plug (sensor 2)



Configuration M12-plug

- 1: + supply (sensor 2)
- 2: - supply 4...20 mA (sensor 2)
- 3: not connected
- 4: not connected

Disposal

- This instrument is not subject to the WEEE directive 2002/96/EG and the respective national laws.
- Pass the instrument directly on to a specialised recycling company and do not use the municipal collecting points.

Installation

Adequate process connections as well as drawings of the process connections you will find in following product informations:

- TFP-60 > temperature sensor G1/2" standard (chapter 2)
- TFP-61 > temperature sensor G1/2" hygienic (chapter 2)
- TFP-62 > temperature sensor M12 hygienic (chapter 2)
- TFP-68P > pharma temperature sensor ESP (chapter 2)
- TFP-69 > temperature sensor without thread (chapter 2)

see also: **CLEANadapt** (chapter 1)

Transport / Storage

- No outdoor storage
- Dry and dust free
- Not exposed to corrosive media
- Protected against solar radiation
- Avoiding mechanical shock and vibration
- Storage temperature -55...+90 °C
- Relative humidity maximum 98 %

Cleaning / Maintenance

- In case of using pressure washers, don't point nozzle directly to electrical connections!

Reshipment

- Sensors shall be clean and must not be contaminated with dangerous media!
- Use suitable transport packaging only to avoid damage of the equipment!

Standards and Guidelines

- You have to comply with applicable regulations and directives.

Advice to EMC

- The device agrees to following standards: EMC directive 2004/108/EG.
- You have to guarantee the EMC directives for the entire equipment.

Order Code

- TFP-60** temperature sensor with thread G1/2" standard
- TFP-61** temperature sensor with thread G1/2" hygienic
- TFP-62** temperature sensor with thread M12 hygienic
- TFP-68P** temperature sensor with thread G3/8" for ESP
- TFP-69** temperature sensor without thread

Spacer (only for TFP-60, TFP-61 and TFP-62)

- X** without
- H** with spacer (extension of 92 mm)

Sensor Length in mm (not for TFP-68P: see product information TFP-ESP!)

- 050** (length 50 mm)
- 100** (length 100 mm)
- 150** (length 150 mm)
- 250** (length 250 mm)
- xxx** special length (up to 2500 mm maximal)

Diameter Thermowell in mm (not for TFP-68P: see product information TFP-ESP!)

- 6** standard
- 8** (only for TFP-60, TFP-61 and TFP-69)
- 10** (only for TFP-60, TFP-61 and TFP-69)
- 12** (only for TFP-60, TFP-61 and TFP-69)

Diameter Sensor Tip in mm (not for TFP-68P: see product information TFP-ESP!)

- 6** standard
- 4** (without extra charge at sensor length ≤ 20 mm)

Accuracy Class

- A**
- 1/3B**
- 1/10B**

Electrical Connection

- M12** 1 x M12-plug
- 2xM12** 2 x M12-plug

**1. Transmitter
MPU-4**

Measuring Range

- 10...40 °C**
- 0...50 °C**
- 0...100 °C**
- 0...150 °C**
- 0...250 °C**
- xx...yy** special range

**2. Transmitter
MPU-4**

Measuring Range

- 10...40 °C**
- 0...50 °C**
- 0...100 °C**
- 0...150 °C**
- 0...250 °C**
- xx...yy** special range

TFP-61 / H / 100 / 6 / 6 / A / M12 / MPU-4 / 0...100 °C / MPU-4 / 0...100 °C