

Temperature Sensor Display



Application

- hygienic temperature measurement in pipes and vessels

Application Examples

- locale temperature display without power supply

Hygienic Design / Process Connection

- integrated process connection
- direct connection for TriClamp 1/2" up to 2"
- by using the Negele weld-in sleeve **EMZ-352**, an easy cleanable measurement point will be achieved
- adapter for DIN 11851, Varivent, SMS, RJT etc.
- CIP- / SIP cleanable
- all medium contacted materials are FDA conform

Features

- high contrast LC-Display, height 15mm
- possibility to calibrate for finetuning of certain process temperatures



Temperature Sensor
TFP-100-BAT / TC1" / U

Specification

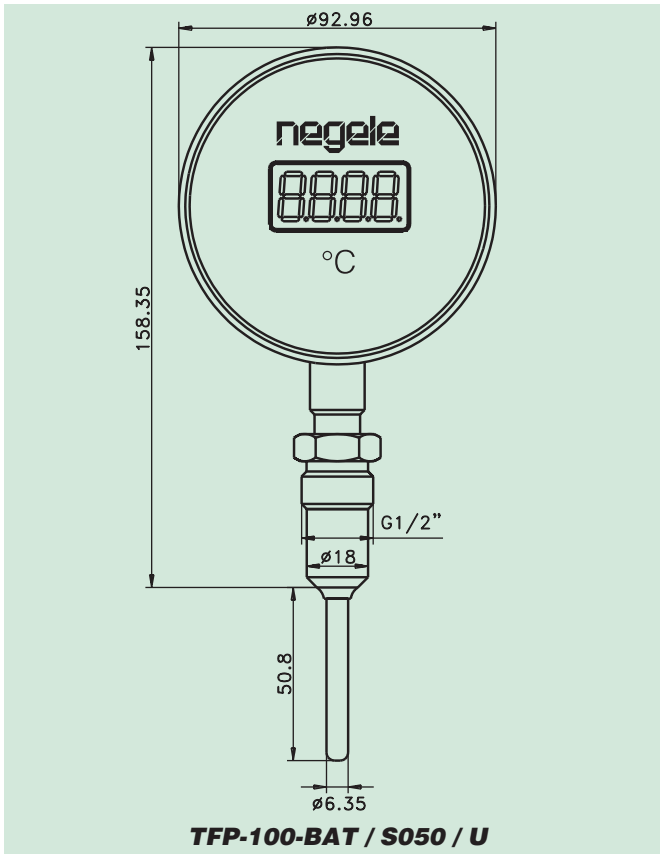
Materials	protection tube	1.4404 (316L)	Measurement range	-18°C...150°C		
	fitting	1.4404 (316L)		Accuracy	±0,6°C	
	case	1.4301		Repeatability	±0,2%	
	window	polysulphone*		Temperature	ambient	5°C...40°C*
Surface roughness	medium contacted	Ra<0,6µm		storage	0°C...65°C	
	Display	LCD	Temperature stability	0,1°/10° change of ambient temperature		
	resolution	0,1°C		Zero adjustment	internal	±3K possible
	display update	every 2 seconds		Protection class	IP 66	
	supply	batteries 2xAA		diameter of sensor	6,35mm	
	durability	1 year min.				

* temperature resistant up to 163°C

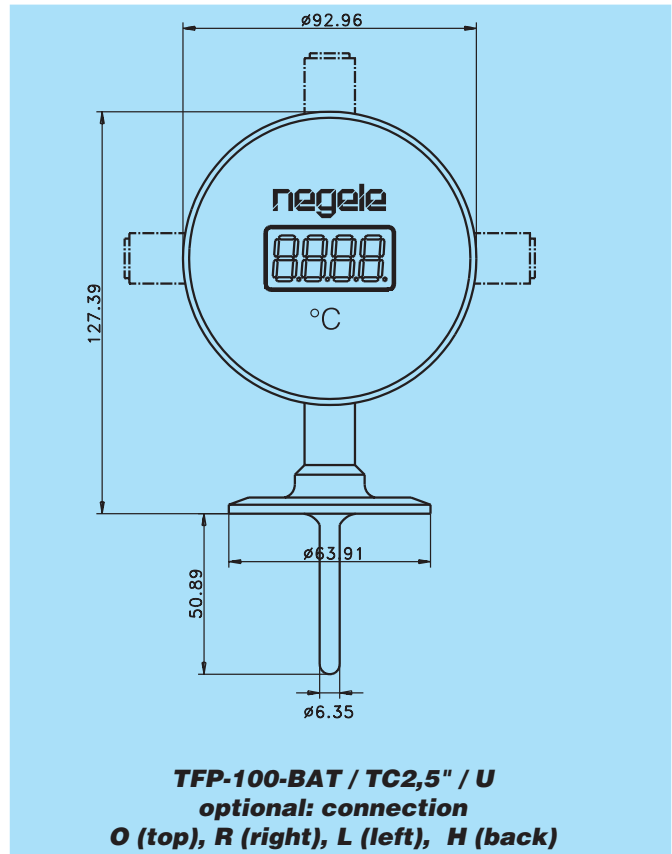
Order Code

Type	Process connection	Connection
TFP-100-BAT	S050 (CLEANadapt G 1/2" hygienic, sensor length 50mm)	U (down)
	S100 (CLEANadapt G 1/2" hygienic, sensor length 100mm)	O (top)
	TC1/2" (TriClamp 1/2", sensor length 32mm)	R (right)
	TC3/4" (TriClamp 3/4", sensor length 70mm)	L (left)
	TC1" (TriClamp 1", sensor length 70mm)	H (back)
	TC1,5" (TriClamp 1,5", sensor length 70mm)	
	TC2" (TriClamp 2", sensor length 89mm)	
Order example:	TFP-100-BAT / S050 / U	

Drawing TFP-100-BAT CLEANadapt

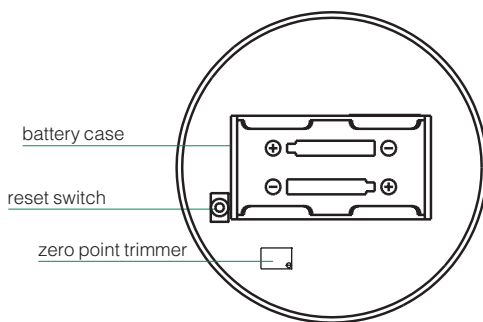


Drawing TFP-100-BAT DIRECTadapt

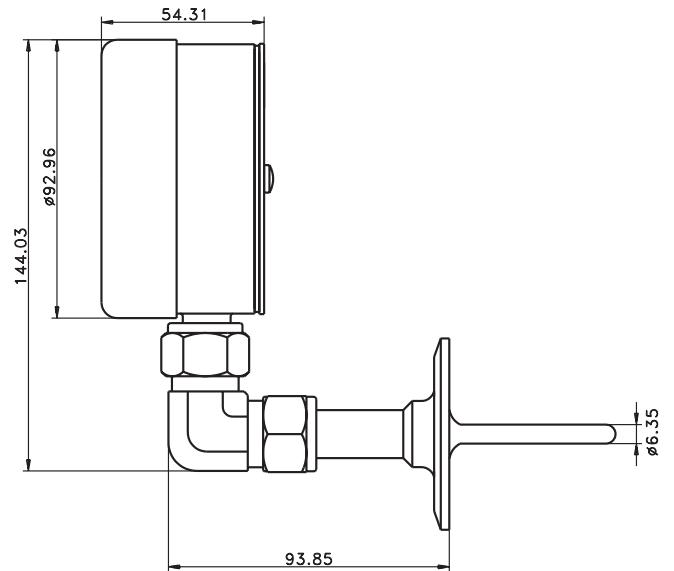


Initial operation

- for running the TFP-100-BAT you need two batteries of the type AA (included in delivery).
- for changing the batteries you have to remove the two screws and the cap on the backside.
- after insertion of the batteries push the reset switch and screw the cap on the case.



View with open cap



TFP-100-BAT / TC2,5" / H
Option connection H (back)