



# Temperature Sensor Display



- Application**
- hygienic temperature measurement in pipes and vessels

- Application Examples**
- locale temperature display without power supply

- Hygienic Design / Process Connection**
- integrated process connection
  - direct connection for TriClamp 1/2" up to 2"
  - by using the Negele weld-in sleeve EMZ-352, an easy cleanable measurement point will be achieved
  - adapter for DIN 11851, Varivent, SMS, RJT etc.
  - CIP- / SIP cleanable
  - all medium contacted materials are FDA conform

- Features**
- high contrast LC-Display, height 15mm
  - possibility to calibrate for finetuning of certain process temperatures



Temperature Sensor  
TFP-100-BAT / TC1" / U

**Specification**

Materials	protection tube	1.4404 (316L)
	fitting	1.4404 (316L)
	case	1.4301
	window	polysulphone*
Surface roughness	medium contacted	Ra<0,6µm
Display	LCD	height 15mm
	resolution	0,1°C
	display update	every 2 seconds
	supply	batteries 2xAA
	durability	1 year min.

\* temperature resistant up to 163°C

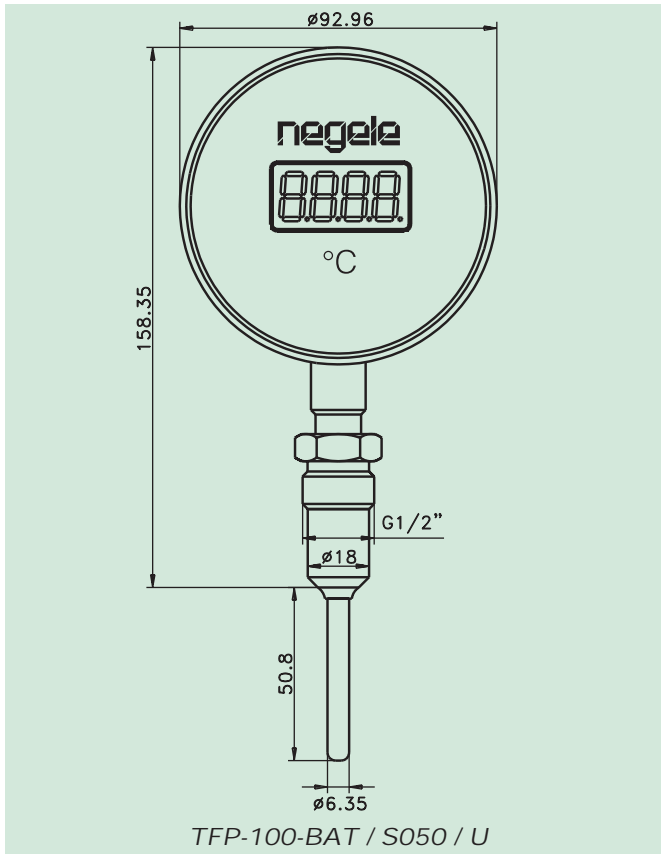
Measurement range		-18°C...150°C
Accuracy		±0,6°C
Repeatability		±0,2%
Temperature	ambient	5°C...40°C*
	storage	0°C...65°C
Temperature stability		0,1°/10° change of ambient temperature
Zero adjustment	internal	±3K possible
Protection class		IP 66
diameter of sensor		6,35mm

**Order Code**

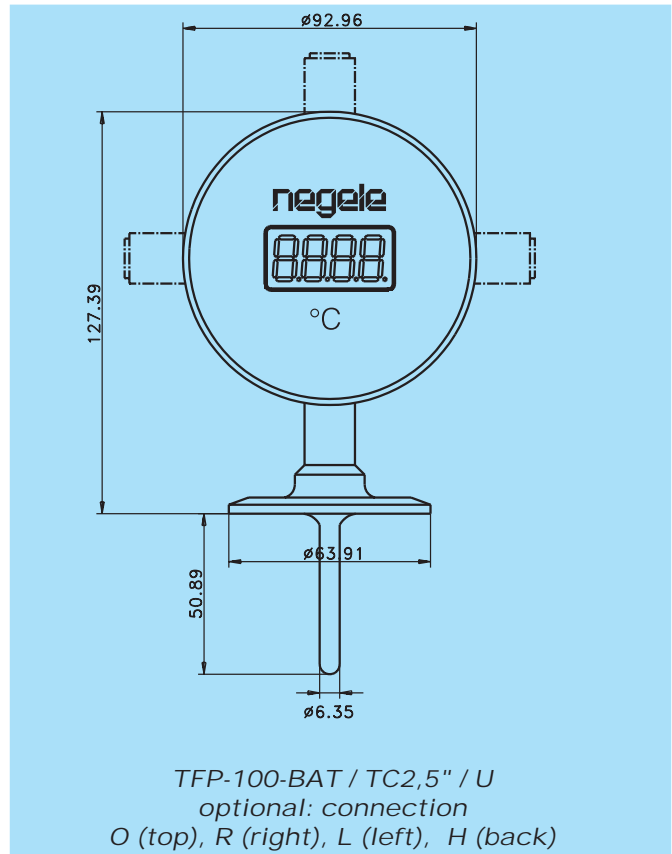
Type	Process connection	Connection
TFP-100-BAT	S050 (CLEANadapt G1/2" hygienic, sensor length 50mm)	U (down)
	S100 (CLEANadapt G1/2" hygienic, sensor length 100mm)	O (top)
	TC1/2" (TriClamp 1/2", sensor length 32mm)	R (right)
	TC3/4" (TriClamp 3/4", sensor length 70mm)	L (left)
	TC1" (TriClamp 1", sensor length 70mm)	H (back)
	TC1,5" (TriClamp 1,5", sensor length 70mm)	
	TC2" (TriClamp 2", sensor length 89mm)	
Order example:	TFP-100-BAT / S050 / U	



Drawing TFP-100-BAT *CLEAN*adapt



Drawing TFP-100-BAT *DIRECT*adapt



Initial operation

- for running the TFP-100-BAT you need two batteries of the type AA (included in delivery).
- for changing the batteries you have to remove the two screws and the cap on the backside.
- after insertion of the batteries push the reset switch and screw the cap on the case.

